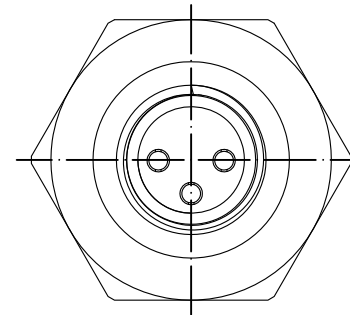
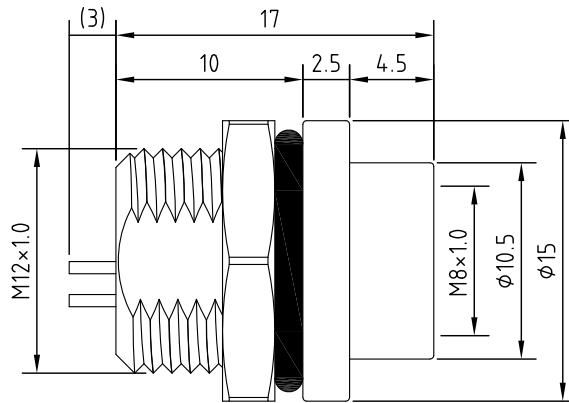
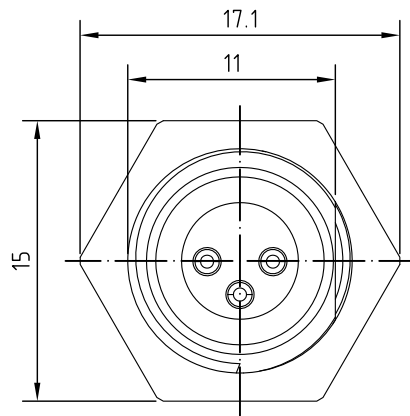


Recommended Panel cut-out

REV.	Description	Date
1	add recommended panel cut-out	2018/4/16
2	rated voltage revise	2018/10/5
3	panel cut-out dimension revise	2020/9/16

Specification of connector

Locking system : screw M8
 Termination : solder
 Shell protection : IP68
 Contact resistance : $\leq 10\text{m}\Omega$
 Insulation resistance : $> 10\text{M}\Omega$



RoHS
 TOLERANCE X±0.5 .X±0.3

CONTACT ARRANGEMENT FRONT VIEW (FEMALE)	3P	4P	5P	6P
Rated voltage	125V		60V	
Rated current	5A		2A	

5	Nut	Brass/Nickel plated
4	O ring	Rubber
3	Body	Brass/Nickel plated
2	Pin	Brass/Gold plated
1	Housing	PA/UL94V-0
Item	Description	Material&Plating



Unicable Co., Ltd. 國陽電業有限公司

5F., No. 111-33, Sec. 4, San Ho Road., San Chung Dist., New Taipei City, Taiwan
<http://www.unicable.com.tw> Tel:+886-2-2286-2122 Fax:+886-2-2286-1010

DATE	2020/9/16	PART NO.	UT-SP205M1-XP-01
DWN	GINA	REV.	3
CHK			
UNIT	MM		

ITEM	Sensor Connector M8
------	---------------------